



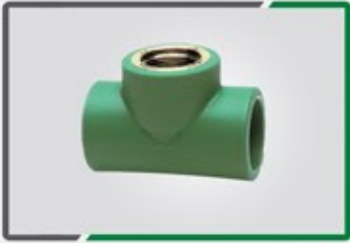
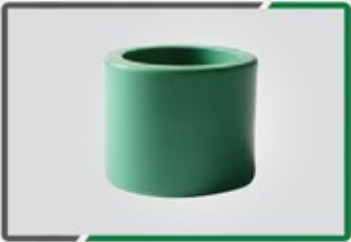
TRUST COLUMNS

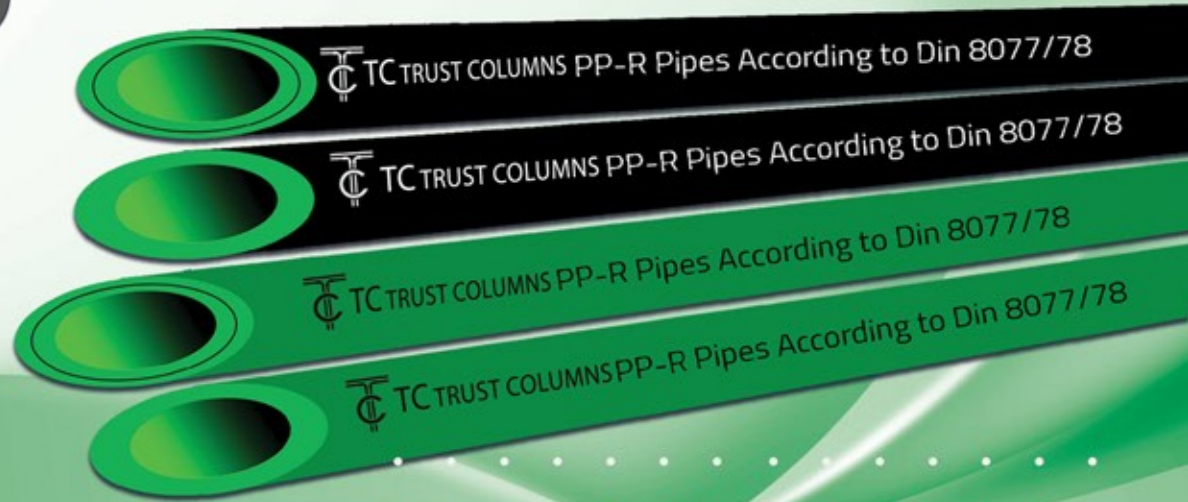
FOR PLASTIC PIPES & FITTINGS



PP-R

PP-R PRODUCTS





Trust Columns Green Pipes



TC PP-R Pipes SDR 6, According to Din 8077/78

Dimension	Outer Diameter (OD)mm	Wall Thickness (S)	Internal Diameter (ID)mm	Water content l/mt
20 mm	20	3.4	13.2	0.137
25 mm	25	4.2	16.6	0.216
32 mm	32	5.4	21.2	0.353
40 mm	40	6.7	26.6	0.556
50 mm	50	8.3	33.4	0.866
63 mm	63	10.5	42	1.385
75 mm	75	12.5	50	1.963
90 mm	90	15	60	2.827
110 mm	110	18.3	73.4	4.208

TC PP-R Pipes SDR 7.4, According to Din 8077/78

Dimension	Outer Diameter (OD)mm	Wall Thickness (S)	Internal Diameter (ID)mm	Water content l/mt
32 mm	32	4.4	23.2	0.415
40 mm	40	5.5	29	0.651
50 mm	50	6.9	36.2	1.029
63 mm	63	8.6	45.8	1.633
75 mm	75	10.3	54.4	2.307
90 mm	90	12.3	65.4	3.318
110 mm	110	15.1	79.8	5.674

TC PP-R Pipes SDR 9, According to DIN 8077-78

Dimension	Outer Diameter (OD)mm	Wall Thickness (S)	Internal Diameter (ID)mm	Water content l/mt
32 mm	32	3.6	24.8	0.415
40 mm	40	4.5	31	0.651
50 mm	50	5.6	38.8	1.029
63 mm	63	7.1	48.8	1.633
75 mm	75	8.4	58.2	2.307
90 mm	90	10.1	69.8	3.318
110 mm	110	12.3	85.4	5.674

TC PP-R Pipes SDR 11, According to Din 8077/78

Dimension	Outer Diameter (OD)mm	Wall Thickness (S)	Internal Diameter (ID)mm	Water content l/mt
50 mm	50	4.6	40.8	1.307
63 mm	63	5.8	51.4	2.075
75 mm	75	6.8	61.4	2.941
90 mm	90	8.2	73.6	4.254
110 mm	110	10	90	6.362

Fiber Reinforced Green Pipes



TC TRUST COLUMNS PP-R Pipes According to Din 8077/78

TC PP-R Pipes SDR 6, According to Din 8077/78

Dimension	Outer Diameter (OD)mm	Wall Thickness (S)	Internal Diameter (ID)mm	Water content l/mt
20 mm	20	3.4	13.2	0.137
25 mm	25	4.2	16.6	0.216
32 mm	32	5.4	21.2	0.353
40 mm	40	6.7	26.6	0.556
50 mm	50	8.3	33.4	0.866
63 mm	63	10.5	42	1.385
75 mm	75	12.5	50	1.963
90 mm	90	15	60	2.827
110 mm	110	18.3	73.4	4.208

TC PP-R Pipes SDR 7.4, According to Din 8077/78

Dimension	Outer Diameter (OD)mm	Wall Thickness (S)	Internal Diameter (ID)mm	Water content l/mt
32 mm	32	4.4	23.2	0.415
40 mm	40	5.5	29	0.651
50 mm	50	6.9	36.2	1.029
63 mm	63	8.6	45.8	1.633
75 mm	75	10.3	54.4	2.307
90 mm	90	12.3	65.4	3.318
110 mm	110	15.1	79.8	5.674

TC PP-R Pipes SDR 9, According to DIN 8077-78

Dimension	Outer Diameter (OD)mm	Wall Thickness (S)	Internal Diameter (ID)mm	Water content l/mt
32 mm	32	3.6	24.8	0.415
40 mm	40	4.5	31	0.651
50 mm	50	5.6	38.8	1.029
63 mm	63	7.1	48.8	1.633
75 mm	75	8.4	58.2	2.307
90 mm	90	10.1	69.8	3.318
110 mm	110	12.3	85.4	5.674

TC PP-R Pipes SDR 11, According to Din 8077/78

Dimension	Outer Diameter (OD)mm	Wall Thickness (S)	Internal Diameter (ID)mm	Water content l/mt
50 mm	50	4.6	40.8	1.307
63 mm	63	5.8	51.4	2.075
75 mm	75	6.8	61.4	2.941
90 mm	90	8.2	73.6	4.254

Ultra Vilot Resistant Black Pipes



TC TRUST COLUMNS PP-R Pipes According to Din 8077/78

TC PP-R Pipes SDR 6, According to Din 8077/78

Dimension	Outer Diameter (OD)mm	Wall Thickness (S)	Internal Diameter (ID)mm	Water content l/mt
20 mm	20	3.4	13.2	0.137
25 mm	25	4.2	16.6	0.216
32 mm	32	5.4	21.2	0.353
40 mm	40	6.7	26.6	0.556
50 mm	50	8.3	33.4	0.866
63 mm	63	10.5	42	1.385
75 mm	75	12.5	50	1.963
90 mm	90	15	60	2.827
110 mm	110	18.3	73.4	4.208

TC PP-R Pipes SDR 7.4, According to Din 8077/78

Dimension	Outer Diameter (OD)mm	Wall Thickness (S)	Internal Diameter (ID)mm	Water content l/mt
32 mm	32	4.4	23.2	0.415
40 mm	40	5.5	29	0.651
50 mm	50	6.9	36.2	1.029
63 mm	63	8.6	45.8	1.633
75 mm	75	10.3	54.4	2.307
90 mm	90	12.3	65.4	3.318
110 mm	110	15.1	79.8	5.674

TC PP-R Pipes SDR 9 , According to DIN 8077-78

Dimension	Outer Diameter (OD)mm	Wall Thickness (S)	Internal Diameter (ID)mm	Water content l/mt
32 mm	32	3.6	24.8	0.415
40 mm	40	4.5	31	0.651
50 mm	50	5.6	38.8	1.029
63 mm	63	7.1	48.8	1.633
75 mm	75	8.4	58.2	2.307
90 mm	90	10.1	69.8	3.318
110 mm	110	12.3	85.4	5.674

TC PP-R Pipes SDR 11, According to Din 8077/78

Dimension	Outer Diameter (OD)mm	Wall Thickness (S)	Internal Diameter (ID)mm	Water content l/mt
50 mm	50	4.6	40.8	1.307
63 mm	63	5.8	51.4	2.075
75 mm	75	6.8	61.4	2.941
90 mm	90	8.2	73.6	4.254

Fiber Reinforced Black Pipes



TC TRUST COLUMNS PP-R Pipes According to Din 8077/78

TC PP-R Pipes SDR 6, According to Din 8077/78

Dimension	Outer Diameter (OD)mm	Wall Thickness (S)	Internal Diameter (ID)mm	Water content l/mt
20 mm	20	3.4	13.2	0.137
25 mm	25	4.2	16.6	0.216
32 mm	32	5.4	21.2	0.353
40 mm	40	6.7	26.6	0.556
50 mm	50	8.3	33.4	0.866
63 mm	63	10.5	42	1.385
75 mm	75	12.5	50	1.963
90 mm	90	15	60	2.827
110 mm	110	18.3	73.4	4.208

TC PP-R Pipes SDR 7.4, According to Din 8077/78

Dimension	Outer Diameter (OD)mm	Wall Thickness (S)	Internal Diameter (ID)mm	Water content l/mt
32 mm	32	4.4	23.2	0.415
40 mm	40	5.5	29	0.651
50 mm	50	6.9	36.2	1.029
63 mm	63	8.6	45.8	1.633
75 mm	75	10.3	54.4	2.307
90 mm	90	12.3	65.4	3.318
110 mm	110	15.1	79.8	5.674

TC PP-R Pipes SDR 9, According to DIN 8077-78

Dimension	Outer Diameter (OD)mm	Wall Thickness (S)	Internal Diameter (ID)mm	Water content l/mt
32 mm	32	3.6	24.8	0.415
40 mm	40	4.5	31	0.651
50 mm	50	5.6	38.8	1.029
63 mm	63	7.1	48.8	1.633
75 mm	75	8.4	58.2	2.307
90 mm	90	10.1	69.8	3.318
110 mm	110	12.3	85.4	5.674

TC PP-R Pipes SDR 11, According to Din 8077/78

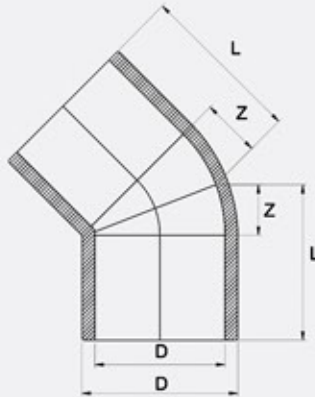
Dimension	Outer Diameter (OD)mm	Wall Thickness (S)	Internal Diameter (ID)mm	Water content l/mt
50 mm	50	4.6	40.8	1.307
63 mm	63	5.8	51.4	2.075
75 mm	75	6.8	61.4	2.941
90 mm	90	8.2	73.6	4.254

Fittings



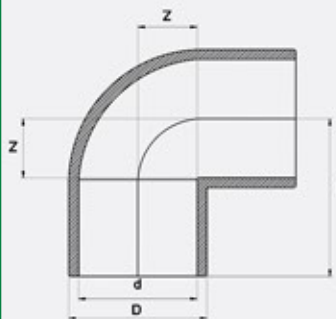
ELBOW 45

Dn	d	D	L	Z
20	19.5	29	12	6
25	24.5	34	24	8
32	31.5	43	28	10
40	39.4	52	32	11
50	49.4	65	37	13
63	62.5	82	44	16
75	74.7	99	50	20
90	89.7	120	58	25
110	109.7	148	69	32



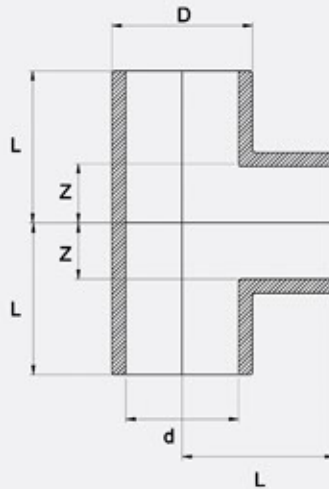
ELBOW 90

Dn	d	D	L	Z
20	19.5	29	28	13
25	24.5	34	32	16
32	31.5	43	38	20
40	39.4	52	44	23
50	49.4	65	52	28
63	62.5	82	62	34
75	74.7	99	71	41
90	89.7	120	83	50
110	109.7	148	99	62



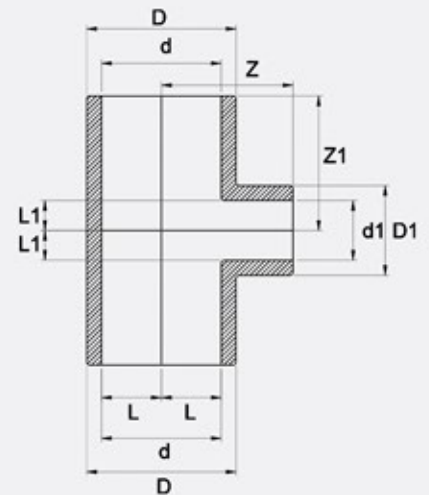
TEE 90

Dn	d	D	L	Z
20	19.5	29	28	13
25	24.5	34	32	16
32	31.5	43	38	20
40	39.4	52	44	23
50	49.4	65	52	28
63	62.5	82	62	34
75	74.7	99	71	41
90	89.7	120	83	50
110	109.7	148	99	62



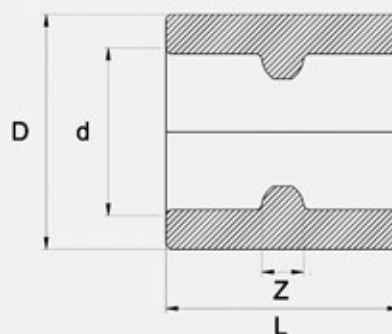
REDUCING TEE 90

Dn-Dn1-Dn2	d	d1	d	D	D1	D	L	L1	Z	Z1
25 20 25	24.5	19.5	24.5	34	29	34	32	32	16	16
32 20 32	31.5	19.5	31.5	43	34	43	38	38	20	20
32 25 32	31.5	24.5	31.5	43	34	43	38	38	20	20
40 20 40	39.4	19.5	39.4	52	43	52	44	44	24	24
40 25 40	39.4	24.5	39.4	52	43	52	44	44	23	23
40 32 40	39.4	31.5	39.4	52	43	52	44	44	23	23
50 20 50	49.4	19.5	49.4	65	43	65	52	52	28	28
50 25 50	49.4	24.5	49.4	65	43	65	52	52	28	28
50 32 50	49.4	31.5	49.4	65	43	65	52	52	28	28
50 40 50	49.4	39.4	49.4	85	85	85	62	62	39	39
63 20 63	62.5	19.5	62.5	85	43	85	62	62	35	35
63 25 63	62.5	24.5	62.5	85	43	85	62	62	35	35
63 32 63	62.5	31.5	62.5	85	43	85	62	62	35	35
63 40 63	62.5	39.4	62.5	85	85	85	62	62	35	35
63 50 63	62.5	49.4	62.5	85	85	100	62	62	35	35
75 20 75	74.7	19.5	74.4	100	43	100	71	71	41	41
75 25 75	74.7	24.5	74.4	100	43	100	71	71	41	41
75 32 75	74.7	31.5	74.4	100	43	100	71	71	41	41
75 40 75	74.4	39.4	74.4	100	65	100	71	71	41	41
75 50 75	74.4	49.4	74.4	100	65	100	71	71	41	41
75 63 75	74.4	62.5	74.4	100	101	100	71	71	41	41



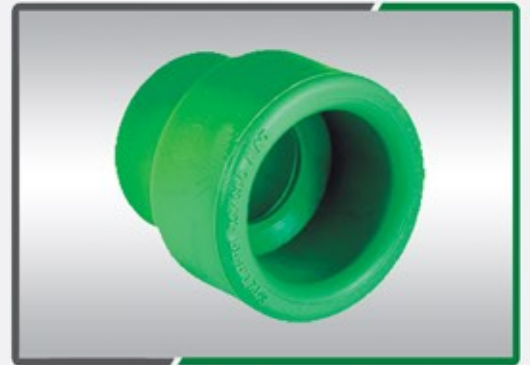
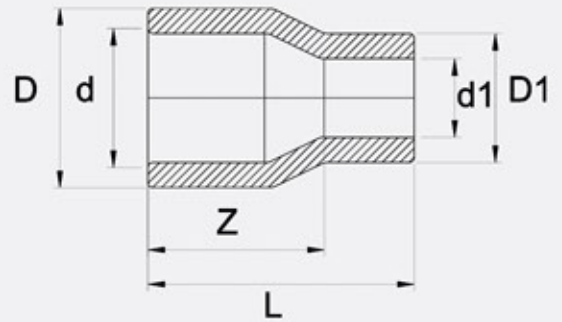
SOCKET

Dn	d	D	L	Z
20	19.5	29	34	5
25	24.5	34	37	5
32	31.5	43	41	5
40	39.4	52	46	5
50	49.4	65	52	5
63	62.5	84	60	5
75	74.7	99	65	5
90	89.7	120	76	10
110	109.7	148	80	6



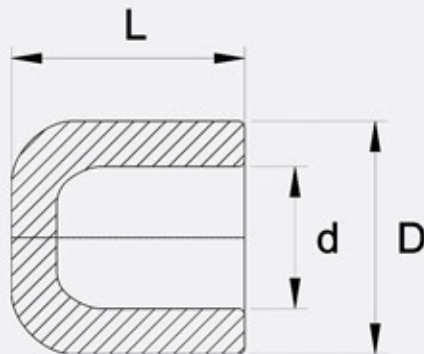
REDUCER

Dn-Dm	d	d1	D	D1	L	Z
25-20	24.5	19.5	34	29	36	22
32-20	31.5	19.5	43	29	37	23
32-25	31.5	24.5	43	34	39	23
40-20	39.4	19.5	52	34	43	28
40-25	39.4	24.5	52	34	43	27
40-32	39.4	31.5	52	43	45	27
50-20	49.4	19.5	65	43	51	36
50-25	49.4	24.5	65	43	51	35
50-32	49.4	31.5	65	43	51	33
50-40	49.4	39.4	65	52	53	33
63-20	62.5	19.5	80	34	56	42
63-25	62.5	24.5	80	34	56	40
63-32	62.5	31.5	80	43	58	40
63-40	62.5	39.4	80	52	60	40
63-50	62.5	49.4	80	65	63	40
75-50	74.7	49.4	100	65	67	44
75-63	74.7	62.5	100	80	71	44
90-63	89.7	62.5	110	80	78	51
90-75	89.7	74.7	110	99	81	51
110-75	109.7	74.7	148	100	90	60
110-90	109.7	89.7	148	110	93	61



CAP

Dn	d	D	L
20	19.5	29	25
25	24.5	34	28
32	31.5	43	32
40	39.4	52	36
50	49.4	65	41
63	62.5	79	48
75	74.7	99	54
90	89.7	120	66
110	109.7	148	79



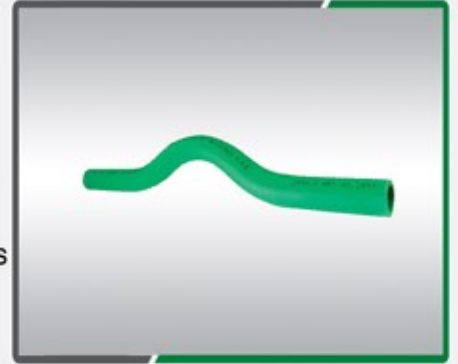
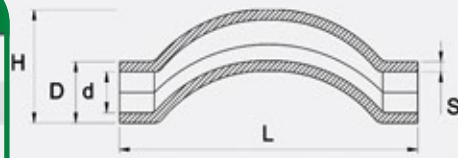
SHORT CROSSOVER

D	D1	H	L	S
20	28	42	90	4.3
25	35	47	100	4.8
32	42	67	130	5.8



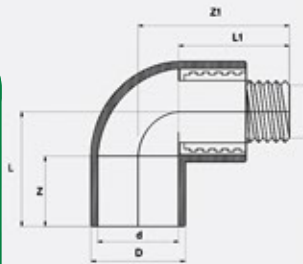
CROSSOVER

Dn	d	S	H	L
20	20	300	200	45
25	25	300	200	55
32	32	300	200	65



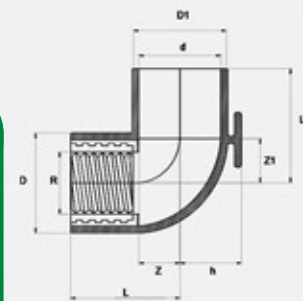
ELBOW 90 MALE THREAD

Dn-Rp	d	D	L	L ₁	Z	Z ₁	SW
20 1/2	19.5	29	28	34	14	49	36
20 3/4	19.5	34	32	40	18	56	44
25 1/2	24.5	34	32	38	16	53	36
25 3/4	39.4	34	32	40	16	56	44
32-1	31.5	43	38	48	20	66	51



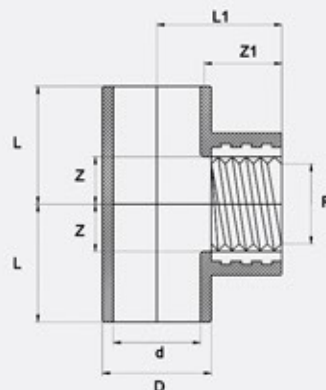
BRACKET FEMALE THREAD

Dn-Rp	d	D	D	L	L ₁	H	T	Z	Z ₁
20- 1/2	19.5	35	29	35	27	15	40	21	11
25- 1/2	24.5	35	29	37	30	17	40	23	14
25- 1/2	24.5	43	34	43	35	22	50	28	19
32- 1/2	31.5	43	43	43	35	22	50	28	17



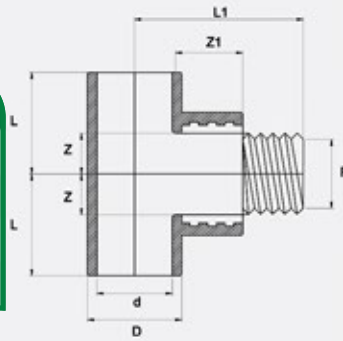
TEE 90 FEMALE THREAD

Dn-Rp	d	D	L	L ₁	Z	Z ₁	SW
20- 1/2	19.5	29	28	34	14	20	36
25- 1/2	24.5	34	32	38	16	24	36
25- 3/4	24.5	34	32	40	16	25	44
32- 3/4	31.5	43	38	45	20	30	44
50- 1	31.5	43	38	48	20	30	52



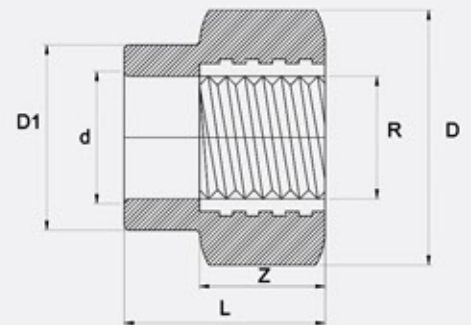
TEE 90 MALE THRED

Dn-Rp	SW	H	L	S	D ₁
20 1/2	38	14.5	56	4.4	20
20 3/4	45	14.5	56	4.4	20
25 1/2	38	16	61	4.9	25
25 3/4	45.2	16	69	4.9	25



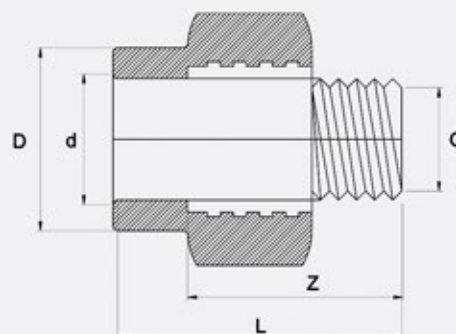
ADAPTOR SOCKET FEMALE THREAD

Dn-Rp	d	D	D ₁	L	Z	Sw
20- 1/2	19.5	35	29	40	11	36
25- 1/2	19.5	35	34	41	11	36
25- 3/4	24.5	43	34	42	11	44
32- 3/4	24.5	43	43	44	11	44
32- 1	31.5	50	43	48	12	51
40- 1 1/4	39.4	62	52	54	13	63
50- 1 1/2	49.4	69	64	57	14	70
63- 2	62.5	84	79	68	19	85
75- 2 1/2	74.7	113	99	82	22	114
90- 3	89.7	129	124	92	27	-
110-4	109.7	160	151	165	27	-



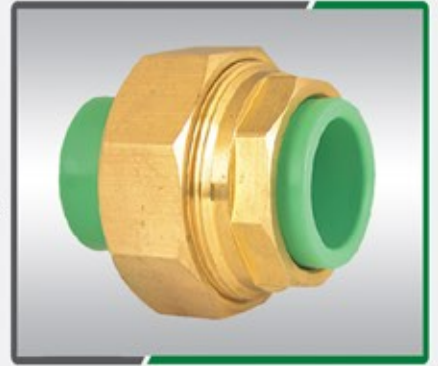
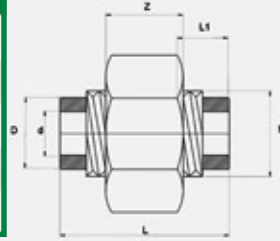
ADAPTOR SOCKET MALE THREAD

Dn-G	d	L	Z
20- 1/2	19.5	50	34
20- 3/4	19.5	53	38
25- 1/2	24.5	51	35
25- 3/4	24.5	54	38
32- 1	31.5	62	43
40- 1 1/4	39.4	72	51
50- 1 1/2	49.4	77	53
63- 2	62.5	88	60
75- 2 1/2	47.7	102	71
90- 3	89.7	143	111
110-4	109.7	161	124



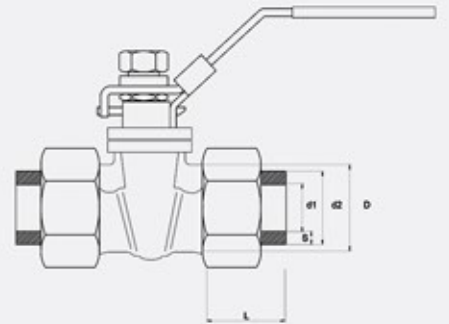
UNION FEMALE

Dn-Rp	d	L	L ₁	L ₂	Z	SW1	SW
20- 1/2	19.5	37.5	20.5	15.5	11	40	25
25- 3/4	24.5	41	22.5	16.75	12	47	30
32- 1	31.5	48.5	27	20	13.7	56	37
40- 1 1/4	39.4	52	29.5	20.35	16	68	46
50- 1 1/2	49.4	57.5	32.8	23	20	85	53



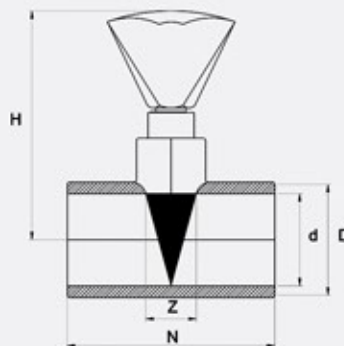
BALL VALVE

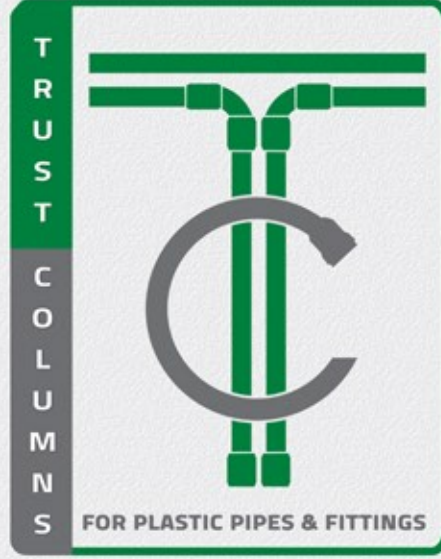
d	d ₁	d ₂	D	L	S
20	19.5	28.5	33.85	20.55	4.6
25	24.5	33.2	38.8	22.7	5.5
32	31.5	43	44.2	27	6.1
40	39	54.5	61.2	29.5	7.7
50	49	67.7	77	32.2	9
63	61.9	87	96	3	11
75	73.4	103	115	43.7	13.15
90	88.2	117	131	45.7	15
110	108	145	162.25	48	16



CONCEALED VALVE

Dn-Rp	d	D	D ₁	Z	N	H
20 - 3/4	19.5	34	45	46	75	112
25 - 3/4	24.5	34	45	43	75	112
32 - 3/4	31.5	43	45	39	75	112





TRUST COLUMNS FOR PLASTIC PIPES & FITTINGS

تراست كولومس للمواسير والوصلات البلاستيكية

- 📍 Factory : Ataq Industrial Zone, Piece No.281, Suez.
☎ Tel: 062 32 30 333 ☎ Tel: 062 32 30 444
📍 Headquarter : Bavaria town, Tower No. 12 Office
No. 45 Fourth floor, Maadi, Cairo.
☎ Tel: 02 274 98 333 ☎ Fax: 02 274 98 444
✉ info@trustcolumns-eg.com

- 📍 المصنع : منطقة عتاقة الصناعية - قطعة رقم 281 - السويس.
☎ 062 32 30 444 ☎ 062 32 30 333
📍 الإدارة : برج 12 بافاريا تاون - مكتب 45 - الدور الرابع
المعادي - القاهرة.
☎ 02 27 49 8444 ☎ 02 27 49 8333
✉ info@trustcolumns-eg.com

www.trustcolumns-eg.com